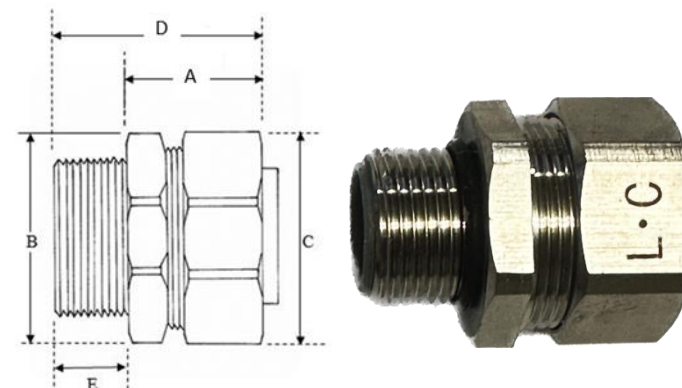


LC Series – Straight Fittings (Nickel Plated Brass)

- **Nickel Plated Brass straight fittings** (also available in Zinc Die cast and 316 Marine Grade Stainless Steel)
- **Provides maximum protection for electrical installations in Industrial & Commercial environments**

Product Details:

- Temperature range - -45°C to + 135°C
- Material - Nickel Plated Brass
- Protection degree - IP66/IP67/IP68 Note 1
- U.V. Rating - U.V. resistant
- Characteristics - High tensile strength, oil resistant, corrosion resistant
 - Multi-part four component fitting supplied with nylon insulating throat
 - Thread sealing O-Ring included with this fitting
- Compatibility - Interchangeable with all liquid tight conduits made to American (UL360) sizes.
- Applications - Suitable for threaded and knock out entries.
 - Suitable for outdoor use.



Product Catalogue No.	Thread Dimensions	Nominal Conduit Size (mm)	Body Length (A) <small>Note 3</small> (mm)	Flange Width (B) (mm)	Backnut Width (C) (mm)	Total Length (D) <small>Note 3</small> (mm)	Thread Length (E) (mm)	Back Nut Torque Tension Required (Nm) <small>Note 2</small>
LC-16-B	M16 x 1.5	16	24.0	28.0	29.0	36.25	13.0	22.6 Nm
LC-16/20-B	M20 x 1.5	16	24.0	28.0	29.25	36.25	13.0	33.9 Nm
LC-20-B	M20 x 1.5	20	24.5	31.5	31.25	37.0	13.0	33.9 Nm
LC-25-B	M25 x 1.5	25	25.0	38.5	38.25	39.0	15.0	56.5 Nm
LC-32-B	M32 x 1.5	32	27.0	46.0	46.5	43.0	16.5	79.1 Nm
LC-40-B	M40 x 1.5	40	32.0	54.0	56.0	50.0	18.0	113 Nm
LC-50-B	M50 x 1.5	50	32.0	61.0	63.5	50.0	18.0	136 Nm
LC-63-B	M63 x 1.5	63	34.5	73.0	74.5	54.5	20.0	181 Nm

Notes:

1. To achieve IP 66/67/68 protection for this fitting, a thread sealing washer or O ring must be installed.
2. The back nut, which clamps the flexible conduit to the fitting, must be tightened to the torque tension stated to achieve the IP protection rating of the fitting and prevent water ingress.
3. Dimensions A and D have been measured with the backnut in a non-tensioned (finger tight) state. The stated dimensions will reduce once the backnut is tightened and torque tension is applied.